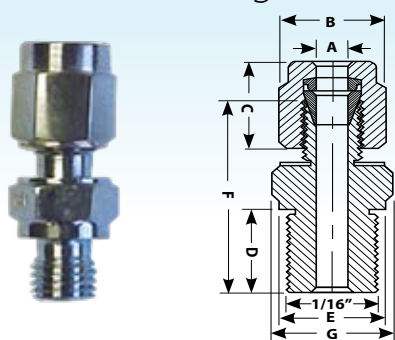


STAINLESS STEEL 316/1.4401 FITTINGS

British Parallel (BSPP) Equivalent to European G Thread

1/16" BSPP Fittings

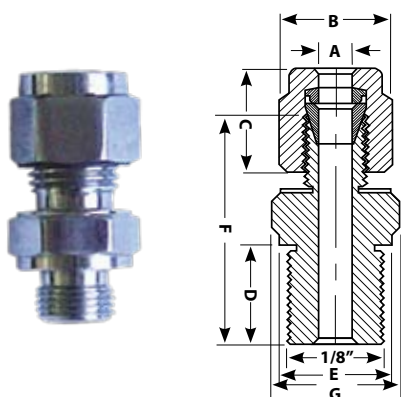


Part No.	A	B	C	D	E	F	G	Price Sterling	Price Euros
	To Suit	Nut A/F							
FS116P30	3.0mm	11.1	12.0	7.1	10.6	23.7	14.3	£2.50	€3.25

All of our compression fittings have:

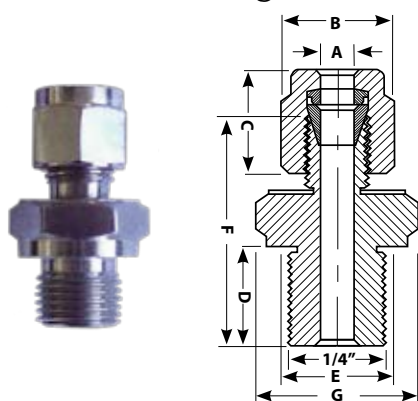


1/8" BSPP Fittings



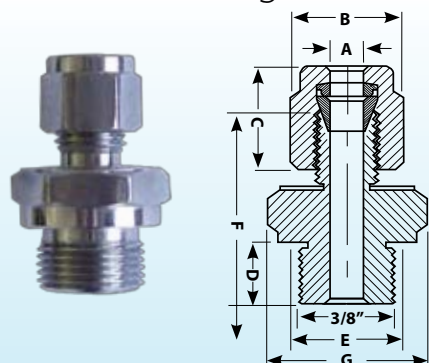
Part No.	A	B	C	D	E	F	G	Price Sterling	Price Euros
	To Suit	Nut A/F							
FS18P10	1.0mm	7.9	8.0	7.1	13.8	22.0	14.2	£4.85	€6.31
FS18P15	1.5mm	7.9	8.0	7.1	13.8	22.0	14.2	£2.85	€3.71
FS18P20	2.0mm	7.9	8.0	7.1	13.8	22.0	14.2	£2.85	€3.71
FS18P30	3.0mm	11.1	12.0	7.1	13.8	23.7	14.2	£2.90	€3.77
FS18P18	1/8"	11.1	12.0	7.1	13.8	23.2	14.2	£2.90	€3.77
FS18P40	4.0mm	12.7	12.0	7.1	13.8	24.6	14.2	£3.00	€3.90
FS18P45	4.5mm	12.7	12.0	7.1	13.8	24.6	14.2	£3.25	€4.23
FS18P316	3/16"	12.7	12.0	7.1	13.8	24.1	14.2	£3.25	€4.23
FS18P60	6.0mm	14.2	12.7	7.1	13.8	25.1	14.2	£3.25	€4.23
FS18P14	1/4"	14.2	12.7	7.1	13.8	25.7	14.2	£3.25	€4.23
FS18P80	8mm	15.8	13.5	7.1	13.8	26.3	14.2	£3.50	€4.55

1/4" BSPP Fittings



Part No.	A	B	C	D	E	F	G	Price Sterling	Price Euros
	To Suit	Nut A/F							
FS14P1.5	1.5mm	7.9	8.0	11.2	18.2	26.7	19.1	£4.50	€5.85
FS14P2	2mm	7.9	8.0	11.2	18.2	26.7	19.1	£4.50	€5.85
FS14P30	3mm	11.1	12.0	11.2	18.2	28.6	19.1	£4.50	€5.85
FS14P18	1/8"	11.1	12.0	11.2	18.2	28.1	19.1	£4.50	€5.85
FS14P40	4mm	12.7	12.0	11.2	18.2	29.5	19.1	£4.50	€5.85
FS14P45	4.5mm	12.7	12.0	11.2	18.2	29.5	19.1	£4.50	€5.85
FS14P316	3/16"	12.7	12.0	11.2	18.2	29.0	19.1	£4.50	€5.85
FS14P5.5	5.5mm	14.2	12.7	11.2	18.2	30.0	19.1	£4.50	€5.85
FS14P60	6mm	14.2	12.7	11.2	18.2	30.5	19.1	£4.50	€5.85
FS14P14	1/4"	14.2	12.7	11.2	18.2	30.0	19.1	£4.50	€5.85
FS14P516	5/16"	15.8	13.5	11.2	18.2	31.2	19.1	£4.75	€6.18
FS14P80	8mm	15.8	13.5	11.2	18.2	31.2	19.1	£4.75	€6.18

3/8" BSPP Fittings



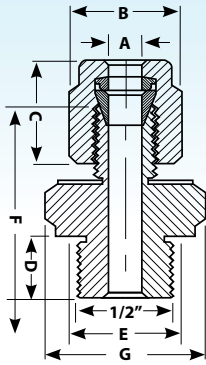
Part No.	A	B	C	D	E	F	G	Price Sterling	Price Euros
	To Suit	Nut A/F							
FS38P30	3mm	11.1	12.0	11.1	21.7	29.5	22.2	£5.50	€7.15
FS38P40	4mm	12.7	12.0	11.1	21.7	30.4	22.2	£5.50	€7.15
FS38P45	4.5mm	12.7	12.0	11.1	21.7	30.4	22.2	£5.50	€7.15
FS38P316	3/16"	12.7	12.0	11.1	21.7	30.4	22.2	£5.50	€7.15
FS38P5.5	5.5mm	14.2	12.7	11.1	21.7	31.4	22.2	£5.50	€7.15
FS38P60	6mm	14.2	12.7	11.1	21.7	31.4	22.2	£5.50	€7.15
FS38P14	1/4"	14.2	12.7	11.2	21.4	31.2	22.2	£5.50	€7.15
FS38P516	5/16"	15.8	13.5	11.1	21.7	32.1	22.2	£5.75	€7.48
FS38P80	8mm	15.8	13.5	11.1	21.7	32.1	22.2	£5.75	€7.48
FS38P38	3/8"	17.5	14.2	11.2	21.4	32.2	22.2	£5.75	€7.48
FS38P1/2	1/2"	22.2	17.5	11.2	21.4	32.4	22.2	£5.75	€7.48



Compression Fittings

STAINLESS STEEL 316/1.4401 FITTINGS

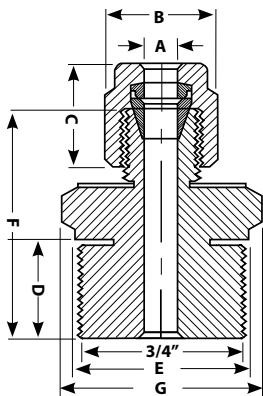
1/2" BSPP Fittings



ELBOWS
ALSO AVAILABLE UPON
REQUEST,
CALL OUR SALES TEAM
+44(0)118 9737222

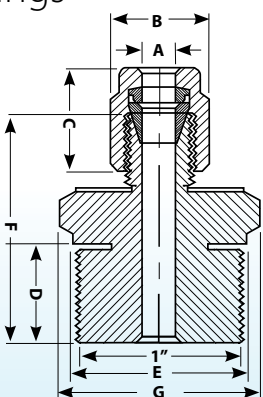
Part No.	A	B	C	D	E	F	G	Price Sterling	Price Euros
	To Suit	Nut A/F							
FS12P30	3mm	11.1	12.0	14.2	25.8	35.6	27.0	£6.50	€8.45
FS12P18	1/8"	11.1	12.0	14.2	25.8	35.6	27.0	£6.50	€8.45
FS12P40	4mm	12.7	12.0	14.2	25.8	36.5	27.0	£6.50	€8.45
FS12P45	4.5mm	12.7	12.0	14.2	25.8	36.5	27.0	£6.50	€8.45
FS12P316	3/16"	12.7	12.0	14.2	25.8	36.5	27.0	£6.50	€8.45
FS12P5.5	5.5mm	14.2	12.7	14.2	25.8	37.5	27.0	£6.50	€8.45
FS12P60	6mm	14.2	12.7	14.2	25.8	37.5	27.0	£6.50	€8.45
FS12P14	1/4"	14.2	12.7	14.2	25.8	37.5	27.0	£6.50	€8.45
FS12P516	5/16"	15.8	13.5	14.2	25.8	38.2	27.0	£6.50	€8.45
FS12P80	8mm	15.8	13.5	14.2	25.8	38.2	27.0	£6.50	€8.45
FS12P90	9mm	17.5	14.2	14.2	25.8	38.7	27.0	£6.90	€8.97
FS12P38	3/8"	17.5	14.2	14.2	25.8	38.7	27.0	£6.90	€8.97
FS12P10	10mm	17.5	14.2	14.2	25.8	39.5	27.0	£6.90	€8.97
FS12P11	11mm	22.2	17.5	14.2	25.8	39.5	27.0	£7.25	€9.43
FS12P716	7/16"	22.2	17.5	14.2	25.8	38.9	27.0	£7.25	€9.43
FS12P12	12mm	22.2	17.5	14.2	25.8	39.5	27.0	£7.75	€10.08
FS12P1/2	1/2"	22.2	17.5	14.2	25.8	38.9	27.0	£7.75	€10.08
FS12P14	14mm	25.4	17.5	14.2	25.8	38.8	27.0	£9.00	€11.70
FS12P15	15mm	25.4	17.5	14.2	25.8	38.8	27.0	£9.00	€11.70
FS12P58	5/8"	27.0	17.5	14.2	25.8	38.9	27.0	£9.00	€11.70

3/4" BSPP Fittings



Part No.	A	B	C	D	E	F	G	Price Sterling	Price Euros
	To Suit	Nut A/F							
FS34P60	6mm	14.2	12.7	16.0	31.0	41.5	31.8	£9.75	€12.68
FS34P14	1/4"	14.2	12.7	16.0	31.0	41.5	31.8	£9.75	€12.68
FS34P516	5/16"	15.8	13.5	16.0	31.0	42.2	31.8	£9.75	€12.68
FS34P80	8mm	15.8	13.5	16.0	31.0	42.2	31.8	£9.75	€12.68
FS34P38	3/8"	17.5	14.2	16.0	31.0	42.2	31.8	£9.75	€12.68
FS34P12	12mm	22.2	17.5	16.0	31.0	42.7	31.8	£10.50	€13.65
FS34P1/2	1/2"	22.2	17.5	16.0	31.0	42.2	31.8	£10.50	€13.65
FS34P15	15mm	25.4	17.5	16.0	31.0	42.7	31.8	£10.50	€13.65
FS34P58	5/8"	27.0	17.5	16.0	31.0	42.2	31.8	£10.50	€13.65
FS34P34	3/4"	28.5	17.5	16.0	31.0	42.5	31.8	£11.50	€14.95

1" BSPP Fittings



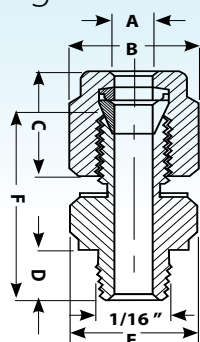
Part No.	A	B	C	D	E	F	G	Price Sterling	Price Euros
	To Suit	Nut A/F							
FS1P60	6mm	14.2	12.7	18.2	40.5	42.7	41.3	£18.00	€23.40
FS1P14	1/4"	14.2	12.7	18.2	40.5	42.2	41.3	£18.00	€23.40
FS1P516	5/16"	15.8	13.5	18.2	40.5	43.4	41.3	£18.00	€23.40
FS1P80	8mm	15.8	13.5	18.2	40.5	43.4	41.3	£18.00	€23.40
FS1P12	12mm	22.2	17.5	18.2	40.5	43.9	41.3	£20.00	€26.00
FS1P1/2	1/2"	22.2	17.5	18.2	40.5	43.4	41.3	£20.00	€26.00
FS1P15	15mm	25.4	17.5	18.2	40.5	43.9	41.3	£20.00	€26.00
FS1P17.5	17.5mm	25.4	17.5	18.2	40.5	43.9	41.3	£22.50	€29.25
FS1P34	3/4"	28.5	17.5	18.2	40.5	43.7	41.3	£22.50	€29.25
FS1P1	1"	38.1	20.5	18.2	40.5	47.8	41.3	£22.50	€29.25

Please Note: All list prices are subject to change.
Check website www.temperaturetechnology.com for up to date information

STAINLESS STEEL 316/1.4401 FITTINGS

British Tapered (BSPT) Equivalent to European R Thread

1/16" BSPT Fittings

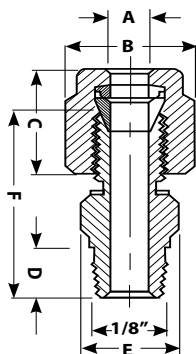


Part No.	A	B	C	D	E	F	Price Sterling	Price Euros
	To Suit	Nut A/F						
FS116T10	1mm	8.0	8.0	9.5	8.0	22.0	£4.85	€6.31

Different style fittings can be made to a drawing or sample.

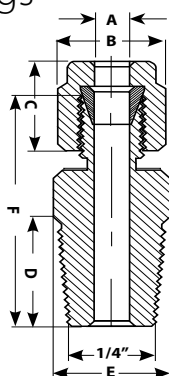


1/8" BSPT Fittings



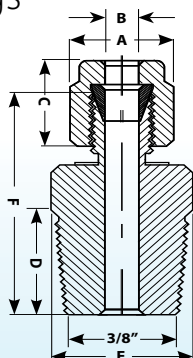
Part No.	A	B	C	D	E	F	Price Sterling	Price Euros
	To Suit	Nut A/F						
FS18T10	1mm	7.9	8.0	9.6	11.1	22.1	£4.85	€6.31
FS18T15	1.5mm	7.9	8.0	9.6	11.1	22.1	£2.85	€3.71
FS18T20	2.0mm	7.9	8.0	9.6	11.1	22.1	£2.70	€3.51
FS18T116	1/16"	7.9	8.0	9.6	11.1	22.1	£2.70	€3.51
FS18T30	3mm	11.1	12.0	9.6	11.1	23.8	£2.70	€3.51
FS18T18	1/8"	11.1	12.0	9.6	11.1	23.8	£2.70	€3.51
FS18T40	4mm	12.7	12.0	9.6	11.1	24.9	£3.00	€3.90
FS18T45	4.5mm	12.7	12.0	9.6	11.1	24.9	£3.00	€3.90
FS18T316	3/16"	11.1	12.0	9.6	11.1	24.9	£3.00	€3.90
FS18T60	6mm	14.2	12.7	9.6	11.1	25.4	£3.00	€3.90
FS18T14	1/4"	14.2	12.7	9.6	11.1	25.4	£3.00	€3.90

1/4" BSPT Fittings



Part No.	A	B	C	D	E	F	Price Sterling	Price Euros
	To Suit	Nut A/F						
FS14T1.5	1.5mm	8.0	8.0	14.2	14.2	27.3	£4.25	€5.53
FS14T20	2.0mm	8.0	8.0	14.2	14.2	27.3	£4.25	€5.53
FS14T30	3mm	11.1	12.0	14.2	14.2	28.9	£4.25	€5.53
FS14T18	1/8"	11.1	12.0	14.2	14.2	28.9	£4.25	€5.53
FS14T40	4mm	12.7	12.0	14.2	14.2	29.5	£4.25	€5.53
FS14T45	4.5mm	12.7	12.0	14.2	14.2	29.5	£4.25	€5.53
FS14T316	3/16"	12.7	12.0	14.2	14.2	29.5	£4.25	€5.53
FS14T60	6mm	14.3	12.7	14.2	14.2	30.7	£4.25	€5.53
FS14T14	1/4"	14.2	12.7	14.2	14.2	30.7	£4.25	€5.53
FS14T80	8mm	15.8	13.5	14.2	14.2	31.2	£4.75	€6.18

3/8" BSPT Fittings



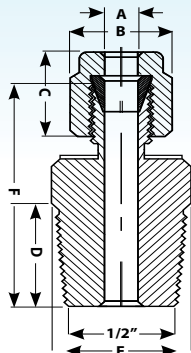
Part No.	A	B	C	D	E	F	Price Sterling	Price Euros
	To Suit	Nut A/F						
FS38T30	3mm	11.1	12.0	14.2	17.5	29.5	£5.00	€6.50
FS38T18	1/8"	11.1	12.0	14.2	17.5	29.5	£5.00	€6.50
FS38T40	4mm	12.7	12.0	14.2	17.5	30.5	£5.00	€6.50
FS38T45	4.5mm	12.7	12.0	14.2	17.5	30.5	£5.00	€6.50
FS38T316	3/16"	12.7	12.0	14.2	17.5	30.5	£5.00	€6.50
FS38T60	6mm	14.3	12.7	14.2	17.5	31.0	£5.00	€6.50
FS38T14	1/4"	14.3	12.7	14.2	17.5	31.0	£5.00	€6.50
FS38T516	5/16"	15.9	13.5	14.2	17.5	32.2	£5.50	€7.15
FS38T80	8mm	15.9	13.5	14.2	17.5	32.2	£5.50	€7.15



Compression Fittings

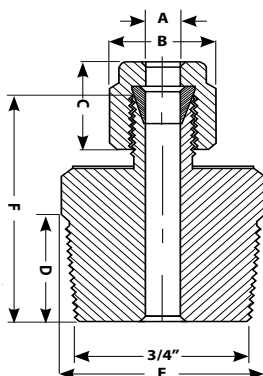
STAINLESS STEEL 316/1.4401 FITTINGS

1/2" BSPT Fittings



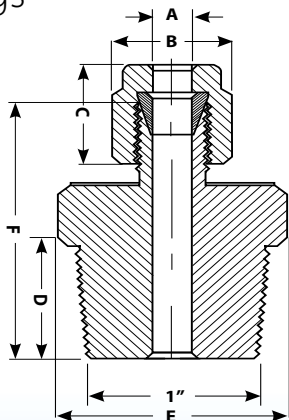
Part No.	A	B	C	D	E	F	Price Sterling	Price Euros
	To Suit	Nut A/F						
FS12T30	3mm	11.1	12.0	19.0	22.2	35.5	£6.50	€8.45
FS12T18	1/8"	11.1	12.0	19.0	22.2	35.5	£6.50	€8.45
FS12T40	4mm	12.7	12.0	19.0	22.2	36.5	£6.50	€8.45
FS12T45	4.5mm	12.7	12.0	19.0	22.2	36.5	£6.50	€8.45
FS12T316	3/16"	12.7	12.0	19.0	22.2	36.5	£6.50	€8.45
FS12T60	6mm	14.2	12.7	19.0	22.2	37.3	£6.50	€8.45
FS12T14	1/4"	14.2	12.7	19.0	22.2	37.3	£6.50	€8.45
FS12T516	5/16"	15.8	13.5	19.0	22.2	38.2	£6.50	€8.45
FS12T80	8mm	15.8	13.5	19.0	22.2	38.2	£6.50	€8.45
FS12T38	3/8"	17.5	14.2	19.0	22.2	38.7	£6.50	€8.45
FS12T10	10mm	17.5	14.2	19.0	22.2	38.7	£6.90	€8.97
FS12T12	12mm	22.2	17.5	19.0	22.2	38.7	£7.75	€10.08
FS12T1/2	1/2"	22.2	17.5	19.0	22.2	38.7	£7.75	€10.08
FS12T15	15mm	25.4	17.5	19.0	22.2	38.7	£9.00	€11.07

3/4" BSPT Fittings



Part No.	A	B	C	D	E	F	Price Sterling	Price Euros
	To Suit	Nut A/F						
FS34T60	6mm	14.2	12.7	19.0	27.0	38.6	£9.50	€12.35
FS34T14	1/4"	14.2	12.7	19.0	27.0	38.6	£9.50	€12.35
FS34T516	5/16"	15.8	13.5	19.0	27.0	39.8	£9.50	€12.35
FS34T80	8mm	15.8	13.5	19.0	27.0	39.8	£9.50	€12.35
FS34T11	11mm	22.2	17.5	19.0	27.0	40.3	£10.50	€13.65
FS34T12	12mm	22.2	17.5	19.0	27.0	40.3	£10.50	€13.65
FS34T1/2	1/2"	22.2	17.5	19.0	27.0	40.3	£10.50	€13.65
FS34T15	15mm	25.4	17.5	19.0	27.0	40.3	£10.50	€13.65
FS34T1	1"	38.1	20.5	19.0	27.0	42.2	£15.00	€19.50

1" BSPT Fittings



Part No.	A	B	C	D	E	F	Price Sterling	Price Euros
	To Suit	Nut A/F						
FS1T60	6mm	14.2	12.7	23.5	34.9	42.0	£18.00	€23.40
FS1T14	1/4"	14.2	12.7	23.5	34.9	42.0	£18.00	€23.40
FS1T1	1"	38.1	20.5	23.5	34.9	46.7	£22.50	€29.25



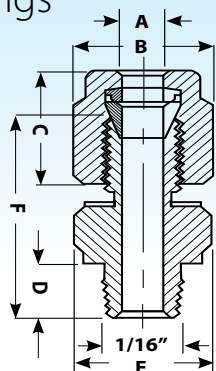
Contact our Sales Team for assistance.

Tel: +44(0)118 9730739 Fax: +44(0)118 9737222

PLEASE NOTE: all dimensions are subject to change without notice and tolerances apply

AMERICAN PIPE THREAD (NPT)

1/16" NPT Fittings

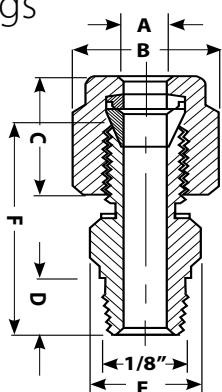


Part No.	A	B	C	D	E	F	Price Sterling	Price Euros
	To Suit	Nut A/F						
FS116NT10	1mm	7.9	8.0	9.5	8.0	22.0	£4.85	€6.31

Conversion Table

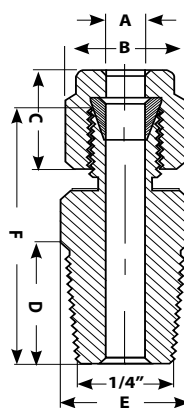
Inches	1/16"	1/8"	3/16"	1/4"	5/16"	3/8"	7/16"	1/2"	5/8"	3/4"	1"
mm	1.59	3.18	4.76	6.35	7.94	9.53	11.11	12.70	15.88	19.05	25.4

1/8" NPT Fittings



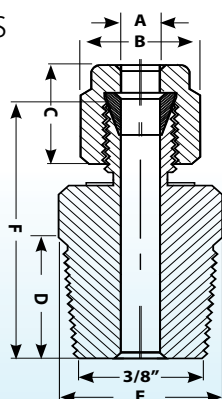
Part No.	A	B	C	D	E	F	Price Sterling	Price Euros
	To Suit	Nut A/F						
FS18NT10	1mm	7.9	8.0	9.6	11.1	22.1	£4.85	€6.31
FS18NT15	1.5mm	7.9	8.0	9.6	11.1	22.1	£2.85	€3.71
FS18NT20	2mm	7.9	8.0	9.6	11.1	22.1	£2.70	€3.51
FS18NT116	1/16"	7.9	8.0	9.6	11.1	22.1	£2.70	€3.51
FS18NT30	3mm	11.1	12.0	9.6	11.1	23.8	£2.70	€3.51
FS18NT18	1/8"	11.1	12.0	9.6	11.1	23.8	£2.70	€3.51
FS18NT40	4mm	12.7	12.0	9.6	11.1	24.9	£3.00	€3.90
FS18NT45	4.5mm	12.7	12.0	9.6	11.1	24.9	£3.00	€3.90
FS18NT316	3/16"	12.7	12.0	9.6	11.1	24.9	£3.00	€3.90
FS18NT60	6mm	14.2	12.7	9.6	11.1	25.4	£3.00	€3.90
FS18NT14	1/4"	14.2	12.7	9.6	11.1	25.4	£3.00	€3.90

1/4" NPT Fittings



Part No.	A	B	C	D	E	F	Price Sterling	Price Euros
	To Suit	Nut A/F						
FS14NT1.5	1.5mm	8.0	8.0	14.2	14.2	28.0	£4.25	€5.53
FS14NT20	2mm	8.0	8.0	14.2	14.2	28.0	£4.25	€5.53
FS14NT30	3mm	11.1	12.0	14.2	14.2	28.9	£4.25	€5.53
FS14NT18	1/8"	11.1	12.0	14.2	14.2	28.9	£4.25	€5.53
FS14NT40	4mm	12.7	12.0	14.2	14.2	29.5	£4.25	€5.53
FS14NT45	4.5mm	12.7	12.0	14.2	14.2	29.5	£4.25	€5.53
FS14NT50	5mm	12.7	12.0	14.2	14.2	29.5	£4.25	€5.53
FS14NT316	3/16"	12.7	12.0	14.2	14.2	29.5	£4.25	€5.53
FS14NT60	6mm	14.2	12.7	14.2	14.2	30.7	£4.25	€5.53
FS14NT14	1/4"	14.2	12.7	14.2	14.2	30.7	£4.25	€5.53
FS14NT80	8mm	15.8	13.5	14.2	14.2	31.2	£4.75	€6.18

3/8" NPT Fittings

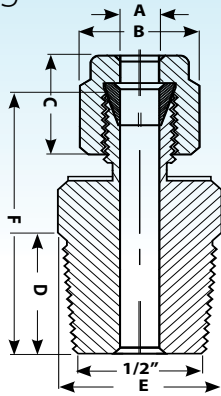


Part No.	A	B	C	D	E	F	Price Sterling	Price Euros
	To Suit	Nut A/F						
FS38NT30	3mm	11.1	12.0	14.2	17.45	29.5	£5.00	€6.50
FS38NT18	1/8"	11.1	12.0	14.2	17.45	29.5	£5.00	€6.50
FS38NT40	4mm	12.7	12.0	14.2	17.45	30.5	£5.00	€6.50
FS38NT45	4.5mm	12.7	12.0	14.2	17.45	30.5	£5.00	€6.50
FS38NT316	3/16"	12.7	12.0	14.2	17.45	30.5	£5.00	€6.50
FS38NT60	6mm	14.2	12.7	14.2	17.45	31.0	£5.00	€6.50
FS38NT14	1/4"	14.2	12.7	14.2	17.45	31.0	£5.00	€6.50
FS38NT516	5/16"	15.8	13.5	14.2	17.45	32.2	£5.50	€7.15
FS38NT80	8mm	15.8	13.5	14.2	17.45	32.2	£5.50	€7.15

Please Note: All list prices are subject to change. Check website www.temperaturetechnology.com for up to date information

AMERICAN PIPE THREAD (NPT)

1/2" NPT Fittings

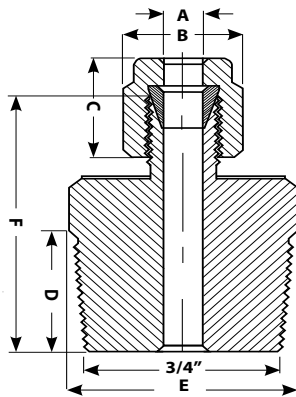


Part No.	A	B	C	D	E	F	Price Sterling	Price Euros
	To Suit	Nut A/F						
FS12NT30	3mm	11.1	12.0	19.0	22.2	35.5	£6.50	€8.45
FS12NT18	1/8"	11.1	12.0	19.0	22.2	35.5	£6.50	€8.45
FS12NT40	4mm	12.7	12.0	19.0	22.2	36.5	£6.50	€8.45
FS12NT45	4.5mm	12.7	12.0	19.0	22.2	36.5	£6.50	€8.45
FS12NT316	3/16"	12.7	12.0	19.0	22.2	36.5	£6.50	€8.45
FS12NT60	6mm	14.2	12.7	19.0	22.2	37.3	£6.50	€8.45
FS12NT14	1/4"	14.2	12.7	19.0	22.2	37.3	£6.50	€8.45
FS12NT516	5/16"	15.8	13.5	19.0	22.2	38.2	£6.50	€8.45
FS12NT80	8mm	15.8	13.5	19.0	22.2	38.2	£6.50	€8.45
FS12NT38	3/8"	17.45	14.2	19.0	22.2	38.7	£6.50	€8.45
FS12NT10	10mm	17.45	14.2	19.0	22.2	38.7	£6.90	€8.97
FS12NT12	12mm	22.2	17.5	19.0	22.2	38.7	£7.75	€10.08
FS12NT1/2	1/2"	22.2	17.5	19.0	22.2	38.7	£7.75	€10.08
FS12NT13	13mm	22.2	17.5	19.0	22.2	38.7	£7.75	€10.08
FS12NT14	14mm	25.4	17.5	19.0	22.2	38.7	£9.00	€11.70
FS12NT15	15mm	25.4	17.5	19.0	22.2	38.7	£9.00	€11.70



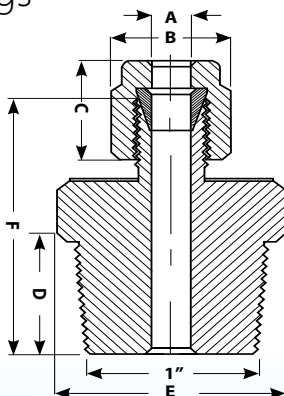
Cooling Necks p.47

3/4" NPT Fittings



Part No.	A	B	C	D	E	F	Price Sterling	Price Euros
	To Suit	Nut A/F						
FS34NT60	6mm	14.2	12.7	19.0	27.0	38.6	£9.50	€12.35
FS34NT14	1/4"	14.2	12.7	19.0	27.0	38.6	£9.50	€12.35
FS34NT516	5/16"	15.8	13.5	19.0	27.0	39.8	£9.50	€12.35
FS34NT80	8mm	15.8	13.5	19.0	27.0	39.8	£9.50	€12.35
FS34NT12	12mm	22.2	17.5	19.0	27.0	40.3	£10.50	€13.36
FS34NT1/2	1/2"	22.2	17.5	19.0	27.0	40.3	£10.50	€13.36
FS34NT15	15mm	25.4	17.5	19.0	27.0	40.3	£10.50	€13.36
FS34NT21.3	21.3mm	32.0	17.5	19.0	27.0	41.6	£22.50	€29.25
FS34NT1	1"	38.1	20.5	19.0	27.0	42.2	£22.50	€29.25

1" NPT Fittings



Part No.	A	B	C	D	E	F	Price Sterling	Price Euros
	To Suit	Nut A/F						
FS1NT60	6.0	14.2	12.7	23.5	34.9	42	£18.00	€23.40
FS1NT14	1/4"	14.2	12.7	23.5	34.9	42	£18.00	€23.40
FS1NT21.3	21.3mm	32.0	17.5	23.5	34.9	46.1	£22.50	€29.25
FS1NT1	1"	38.1	20.5	23.5	34.9	46.7	£22.50	€29.25



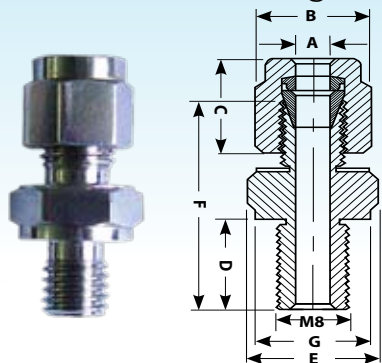
Contact our Sales Team for assistance.

Tel: +44(0)118 9730739 Fax: +44(0)118 9737222

PLEASE NOTE: all dimensions are subject to change without notice and tolerances apply

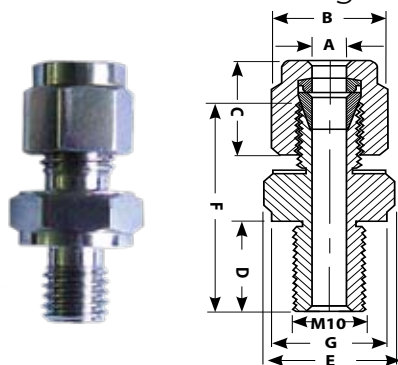
METRIC FITTINGS

M8 Metric Fittings



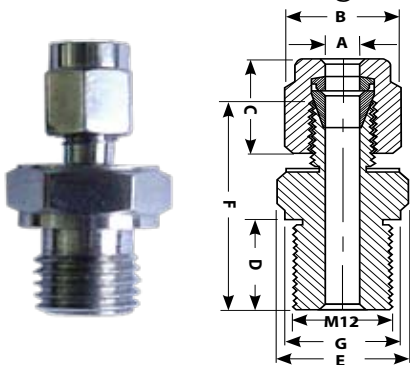
Part No.	Thread	A To Suit	B Nut A/F	C	D	E	F	G	Price Sterling	Price Euros
FSM8-15	M8x1	1.5mm	7.9	8.0	7.5	14.2	22.0	13.6	£3.90	€5.07
FSM8-20	M8x1	2mm	7.9	8.0	7.5	14.2	21.0	13.6	£3.90	€5.07
FSM8-18	M8x1	1/8"	11.1	12.0	7.5	14.2	23.3	13.6	£3.90	€5.07
FSM8/1.25-18	M8x1.25	1/8"	11.1	12.0	7.5	14.2	23.3	13.6	£3.90	€5.07
FSM8-30	M8x1	3mm	11.2	12.0	7.5	14.2	25.0	13.6	£3.90	€5.07
FSM8-40	M8x1	4mm	12.7	12.0	7.5	14.2	25.0	13.6	£3.90	€5.07
FSM8-45	M8x1	4.5mm	12.7	12.0	7.5	14.2	25.0	13.6	£3.90	€5.07

M10 Metric Fittings



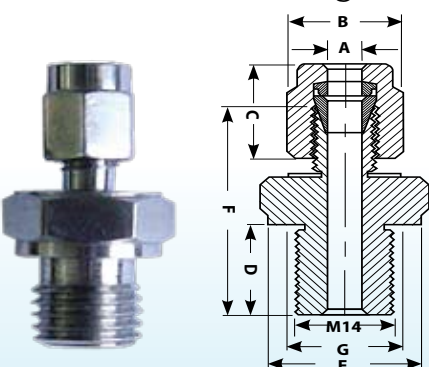
Part No.	Thread	A To Suit	B Nut A/F	C	D	E	F	G	Price Sterling	Price Euros
FSM10-45	M10x1	4.5mm	12.7	12.0	11.0	17.5	28.0	16.5	£4.20	€5.46
FSM10-60	M10x1	6mm	14.2	12.7	11.0	17.5	29.0	16.5	£4.20	€5.46

M12 Metric Fittings



Part No.	Thread	A To Suit	B Nut A/F	C	D	E	F	G	Price Sterling	Price Euros
FSM12-55	M12X1	5.5mm	14.2	12.7	11.0	17.45	29.0	16.3	£4.95	€6.44
FSM12-60	M12X1	6mm	14.2	12.7	11.0	17.45	29.0	16.3	£4.95	€6.44
FSM12-80	M12X1	8mm	15.8	13.5	11.0	17.45	30.0	16.3	£4.95	€6.44

M14 Metric Fittings



Part No.	Thread	A To Suit	B Nut A/F	C	D	E	F	G	Price Sterling	Price Euros
FSM14-90	M14x1.5	9mm	17.5	14.2	11	19.1	30.0	18.2	£5.50	€7.15

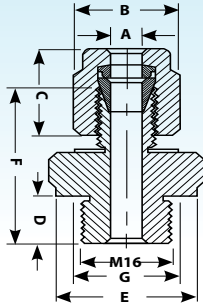
YOUR OWN PRIVATE MACHINE SHOP
 TTL CAN MAKE AND STOCK CUSTOM PARTS FOR YOU (SEE PAGE 43).
 CONTACT OUR SALES TEAM FOR A QUOTATION



Compression Fittings

METRIC FITTINGS

M16 Metric Fittings

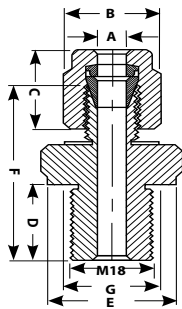


Part No.	Thread	A	B	C	D	E	F	G	Price Sterling	Price Euros
		To Suit	Nut A/F							
FSM16-60	M16x1.5	6mm	14.2	12.7	11	22.2	28.5	21.4	£5.85	€7.61

Conversion Table

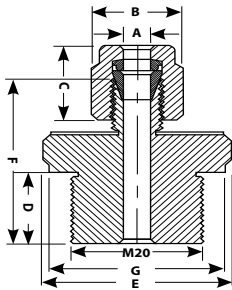
Inches	1/16"	1/8"	3/16"	1/4"	5/16"	3/8"	7/16"	1/2"	5/8"	3/4"	1"
mm	1.59	3.18	4.76	6.35	7.94	9.53	11.11	12.70	15.88	19.05	25.4

M18 Metric Fittings



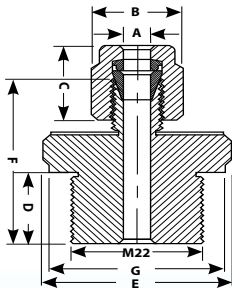
Part No.	Thread	A	B	C	D	E	F	G	Price Sterling	Price Euros
		To Suit	Nut A/F							
FSM18-60	M18x1.5	6mm	14.2	12.7	11.0	22.2	28.5	21.4	£7.00	€9.10

M20 Metric Fittings



Part No.	Thread	A	B	C	D	E	F	G	Price Sterling	Price Euros
		To Suit	Nut A/F							
FSM20-15	M20x1.5	1.5mm	7.9	13.0	11.2	25.4	28.0	24.5	£6.50	€8.45
FSM20-30	M20x1.5	3mm	11.1	13.5	11.2	25.4	28.0	24.5	£6.50	€8.45
FSM20-316	M20x1.5	3/16"	12.7	12.0	11.2	25.4	31.7	24.5	£6.50	€8.45
FSM20-6	M20x1.5	6mm	14.2	12.7	11.2	25.4	32.7	24.5	£6.50	€8.45
FSM20-8	M20x1.5	8mm	16.0	13.5	11.2	25.4	33.7	24.5	£6.50	€8.45

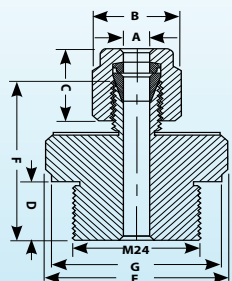
M22 Metric Fittings



Part No.	Thread	A	B	C	D	E	F	G	Price Sterling	Price Euros
		To Suit	Nut A/F							
FSM22-38	M22x2	3/8"	17.5	14.2	13.0	28.5	35.5	27.0	£8.00	€10.40

Check out our website for latest prices & regular updates:
www.temperaturetechnology.com

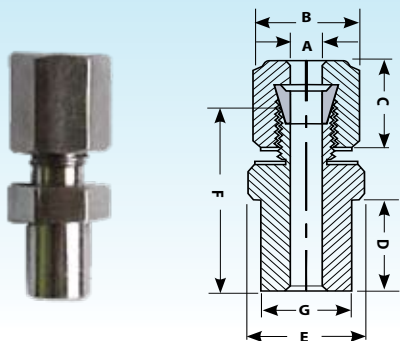
M24 Metric Fittings



Part No.	Thread	A	B	C	D	E	F	G	Price Sterling	Price Euros
		To Suit	Nut A/F							
FSM24-8	M24x1.5	8mm	16.0	13.5	16.0	30.0	40.5	29.0	£8.00	€10.40

Please Note: All list prices are subject to change.
 Check website www.temperaturetechnology.com for up to date information

BLANK THREAD FITTINGS

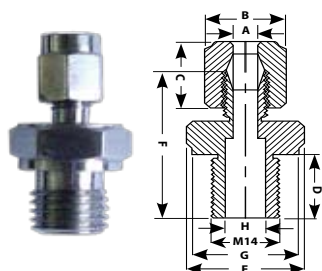


Part No.	A	B	C	D	E	F	G	Price Sterling	Price Euros
	To Suit	Nut A/F							
FS-B-1	1mm	12.0	12.5	10.0	12.0	26.0	8.0	£3.60	€4.68
FS-B-1.5	1.5mm	12.0	12.5	10.0	12.0	26.0	8.0	£3.60	€4.68
FS-B-2	2mm	12.0	12.5	10.0	12.0	26.0	8.0	£3.60	€4.68
FS-B-2.5	2.5mm	12.0	12.5	10.0	12.0	26.0	8.0	£3.60	€4.68
FS-B-3	3mm	12.0	12.5	10.0	12.0	26.0	8.0	£3.60	€4.68

Blank thread fittings for welding.

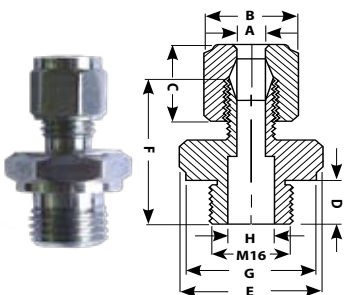
METRIC COUNTER BORED FITTINGS

M14 Metric Counter Bored Fittings



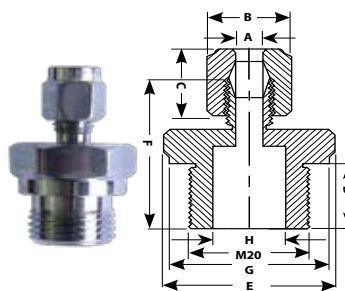
Part No.	Thread	A	B	C	D	E	F	G	H	Price Sterling	Price Euros
		To Suit	Nut A/F								
FSM14-30-CB	M14x1.5	3mm	11.1	12.0	10.0	19.0	25.5	18.2	10.0	£5.50	€7.15
FSM14-45-CB	M14x1.5	4.5mm	12.7	12.0	10.0	19.0	26.5	18.2	10.0	£5.50	€7.15
FSM14-60-CB	M14x1.5	6mm	14.2	12.7	10.0	19.0	27.5	18.2	10.0	£5.50	€7.15

M16 Metric Counter Bored Fittings



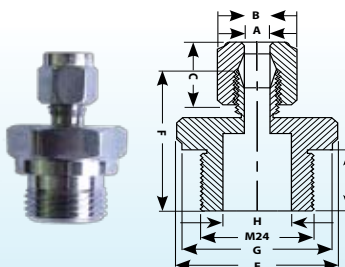
Part No.	Thread	A	B	C	D	E	F	G	H	Price Sterling	Price Euros
		To Suit	Nut A/F								
FSM16-30-CB	M16x1.5	3mm	11.1	12.0	11.0	22.2	27.0	21.4	12.5	£5.85	€7.61
FSM16-45-CB	M16x1.5	4.5mm	12.7	12.0	11.0	22.2	28.0	21.4	12.5	£5.85	€7.61
FSM16-60-CB	M16x1.5	6mm	14.2	12.7	11.0	22.2	29.0	21.4	12.5	£5.85	€7.61

M20 Metric Counter Bored Fittings



Part No.	Thread	A	B	C	D	E	F	G	H	Price Sterling	Price Euros
		To Suit	Nut A/F								
FSM20-30-CB	M20x1.5	3mm	11.1	12.0	11.2	25.4	30.7	24.5	16.0	£6.50	€8.84
FSM20-45-CB	M20x1.5	4.5mm	12.7	12.0	11.2	25.4	31.7	24.5	16.0	£6.50	€8.84
FSM20-60-CB	M20x1.5	6mm	14.2	12.7	11.2	25.4	32.7	24.5	16.0	£6.50	€8.84

M24 Metric Counter Bored Fittings



Part No.	Thread	A	B	C	D	E	F	G	H	Price Sterling	Price Euros
		To Suit	Nut A/F								
FSM24-30-CB	M24x1.5	3mm	11.1	12.0	16.0	30.0	37.5	29.0	18.0	£8.00	€10.40
FSM24-45-CB	M24x1.5	4.5mm	12.7	12.0	16.0	30.0	38.5	29.0	18.0	£8.00	€10.40
FSM24-60-CB	M24x1.5	6mm	14.2	12.7	16.0	30.0	39.5	29.0	18.0	£8.00	€10.40

BRASS FITTINGS

1/8" BSPP Fittings **British Parallel (BSPP)**



Part No.	Thread	To Suit	Price
FB18P15	1/8" BSPP	1.5mm	£1.30 / €1.69
FB18P20	1/8" BSPP	2.0mm	£1.30 / €1.69
FB18P30	1/8" BSPP	3.0mm	£1.30 / €1.69
FB18P18	1/8" BSPP	1/8"	£1.30 / €1.69
FB18P45	1/8" BSPP	4.5mm	£1.30 / €1.69
FB18P316	1/8" BSPP	3/16"	£1.30 / €1.69
FB18P60	1/8" BSPP	6.0mm	£1.30 / €1.69
FB18P14	1/8" BSPP	1/4"	£1.30 / €1.69

1/8" BSPT Fittings **British Tapered (BSPT)**



Part No.	Thread	To Suit	Price
FB18T15	1/8" BSPT	1.5mm	£1.30 / €1.69
FB18T20	1/8" BSPT	2.0mm	£1.30 / €1.69
FB18T30	1/8" BSPT	3.0mm	£1.30 / €1.69
FB18T18	1/8" BSPT	1/8"	£1.30 / €1.69
FB18T45	1/8" BSPT	4.5mm	£1.30 / €1.69
FB18T316	1/8" BSPT	3/16"	£1.30 / €1.69
FB18T60	1/8" BSPT	6.0mm	£1.30 / €1.69
FB18T14	1/8" BSPT	1/4"	£1.30 / €1.69

1/4" BSPP Fittings



Part No.	Thread	To Suit	Price
FB14P15	1/4" BSPP	1.5mm	£1.50 / €1.95
FB14P20	1/4" BSPP	2.0mm	£1.50 / €1.95
FB14P30	1/4" BSPP	3.0mm	£1.50 / €1.95
FB14P18	1/4" BSPP	1/8"	£1.50 / €1.95
FB14P45	1/4" BSPP	4.5mm	£1.50 / €1.95
FB14P316	1/4" BSPP	3/16"	£1.50 / €1.95
FB14P60	1/4" BSPP	6.0mm	£1.50 / €1.95
FB14P14	1/4" BSPP	1/4"	£1.50 / €1.95
FB14P516	1/4" BSPP	5/16"	£1.50 / €1.95

1/4" BSPT Fittings



Part No.	Thread	To Suit	Price
FB14T15	1/4" BSPT	1.5mm	£1.50 / €1.95
FB14T20	1/4" BSPT	2.0mm	£1.50 / €1.95
FB14T30	1/4" BSPT	3.0mm	£1.50 / €1.95
FB14T18	1/4" BSPT	1/8"	£1.50 / €1.95
FB14T45	1/4" BSPT	4.5mm	£1.50 / €1.95
FB14T316	1/4" BSPT	3/16"	£1.50 / €1.95
FB14T60	1/4" BSPT	6.0mm	£1.50 / €1.95
FB14T14	1/4" BSPT	1/4"	£1.50 / €1.95
FB14T516	1/4" BSPT	5/16"	£1.50 / €1.95

3/8" BSPP Fittings



Part No.	Thread	To Suit	Price
FB38P316	3/8" BSPP	3/16"	£2.50 / €3.25
FB38P60	3/8" BSPP	6.0mm	£2.50 / €3.25
FB38P14	3/8" BSPP	1/4"	£2.50 / €3.25

3/8" BSPT Fittings



Part No.	Thread	To Suit	Price
FB38T38	3/8" BSPT	3/8"	£2.50 / €3.25
FB38T60	3/8" BSPT	6.0mm	£2.50 / €3.25
FB38T14	3/8" BSPT	1/4"	£2.50 / €3.25

1/2" BSPP Fittings



Part No.	Thread	To Suit	Price
FB12P30	1/2" BSPP	3.0mm	£3.00 / €3.90
FB12P45	1/2" BSPP	4.5mm	£3.00 / €3.90
FB12P60	1/2" BSPP	6.0mm	£3.00 / €3.90
FB12P14	1/2" BSPP	1/4"	£3.00 / €3.90
FB12P80	1/2" BSPP	8.0mm	£3.00 / €3.90
FB12P38	1/2" BSPP	3/8"	£3.00 / €3.90
FB12P12	1/2" BSPP	1/2"	£3.20 / €4.16

1/2" BSPT Fittings



Part No.	Thread	To Suit	Price
FB12T30	1/2" BSPT	3.0mm	£3.00 / €3.90
FB12T45	1/2" BSPT	4.5mm	£3.00 / €3.90
FB12T60	1/2" BSPT	6.0mm	£3.00 / €3.90
FB12T14	1/2" BSPT	1/4"	£3.00 / €3.90

3/4" BSPP Fittings



Part No.	Thread	To Suit	Price
FB34P30	3/4" BSPP	3.0mm	£5.50 / €7.15
FB34P60	3/4" BSPP	6.0mm	£5.50 / €7.15
FB34P12	3/4" BSPP	1/2"	£5.50 / €7.15

3/4" BSPT Fittings



Part No.	Thread	To Suit	Price
FB34T30	3/4" BSPT	3.0mm	£5.50 / €7.15
FB34T60	3/4" BSPT	6.0mm	£5.50 / €7.15

Please Note: All list prices are subject to change. Check website www.temperaturetechnology.com for up to date information

AMERICAN PIPE THREAD (NPT) BRASS FITTINGS

1/8" NPT Fittings



Part No.	Thread	To Suit	Price
FB18NT15	1/8" NPT	1.5mm	£1.30 / €1.69
FB18NT20	1/8" NPT	2.0mm	£1.30 / €1.69
FB18NT30	1/8" NPT	3.0mm	£1.30 / €1.69
FB18NT18	1/8" NPT	1/8"	£1.30 / €1.69
FB18NT45	1/8" NPT	4.5mm	£1.30 / €1.69
FB18NT316	1/8" NPT	3/16"	£1.30 / €1.69
FB18NT60	1/8" NPT	6.0mm	£1.30 / €1.69
FB18NT14	1/8" NPT	1/4"	£1.30 / €1.69

1/4" NPT Fittings



Part No.	Thread	To Suit	Price
FB14NT15	1/4" NPT	1.5mm	£1.50 / €1.95
FB14NT30	1/4" NPT	3.0mm	£1.50 / €1.95
FB14NT45	1/4" NPT	4.5mm	£1.50 / €1.95
FB14NT60	1/4" NPT	6.0mm	£1.50 / €1.95
FB14NT14	1/4" NPT	1/4"	£1.50 / €1.95

1/2" NPT Fittings



Part No.	Thread	To Suit	Price
FB12NT60	1/2" NPT	6.0mm	£3.00 / €3.90



PTFE COMPRESSION FITTINGS ALSO AVAILABLE UPON REQUEST, CALL OUR SALES TEAM +44(0)118 9730 739

METRIC COUNTER BORED BRASS FITTINGS

M16 Metric Fittings



Part No.	Thread	To Suit	Price
FB-M16-1.5-CB	M16 x 1.5	1.5mm	£2.50 / €3.25
FB-M16-3-CB	M16 x 1.5	3.0mm	£2.50 / €3.25
FB-M16-4.5-CB	M16 x 1.5	4.5mm	£2.50 / €3.25
FB-M16-6-CB	M16 x 1.5	6.0mm	£2.50 / €3.25

M20 Metric Fittings



Part No.	Thread	To Suit	Price
FB-M20-3-CB	M20 x 1.5	3.0mm	£4.50 / €5.85
FB-M20-6-CB	M20 x 1.5	6.0mm	£4.50 / €5.85

M24 Metric Fittings



Part No.	Thread	To Suit	Price
FB-M24-3-CB	M24 x 1.5	3.0mm	£4.50 / €5.85
FB-M24-6-CB	M24 x 1.5	6.0mm	£4.50 / €5.85

Conversion Table

Inches	1/16"	1/8"	3/16"	1/4"	5/16"	3/8"	7/16"	1/2"	5/8"	3/4"	1"
mm	1.59	3.18	4.76	6.35	7.94	9.53	11.11	12.70	15.88	19.05	25.4



Contact our Sales Team for assistance.

Tel: +44(0)118 9730739 Fax: +44(0)118 9737222

PLEASE NOTE: all dimensions are subject to change without notice and tolerances apply

Nickel Plated Brass Fittings

1/8" BSPP Fittings



Part No.	Thread	To Suit	Price
FN18P15	1/8" BSPP	1.5mm	£1.50 / €1.95
FN18P30	1/8" BSPP	3.0mm	£1.50 / €1.95
FN18P45	1/8" BSPP	4.5mm	£1.50 / €1.95
FN18P60	1/8" BSPP	6.0mm	£1.50 / €1.95

1/4" BSPP Fittings



Part No.	Thread	To Suit	Price
FN14P15	1/4" BSPP	1.5mm	£1.75 / €2.28
FN14P30	1/4" BSPP	3.0mm	£1.75 / €2.28
FN14P45	1/4" BSPP	4.5mm	£1.75 / €2.28
FN14P60	1/4" BSPP	6.0mm	£1.75 / €2.28

1/2" BSPT Fittings



Part No.	Thread	To Suit	Price
FN12T60	1/2" BSPT	6.0mm	£3.50 / €4.55

1/2" NPT Fittings



Part No.	Thread	To Suit	Price
FN12NT45	1/2" NPT	4.5mm	£3.50 / €4.55
FN12NT60	1/2" NPT	6.0mm	£3.50 / €4.55

M24 Metric Counter Bored



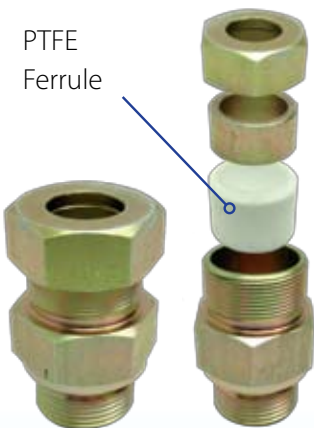
Part No.	Thread	To Suit	Price
FNM243CB	M24 x 1.5	3.0mm	£5.00 / €6.50

Different style fittings can be made to a drawing or sample.



CARBON STEEL FITTINGS

PTFE Ferrule



Part No.	Thread	To Suit	Description	Price Sterling	Price Euros
ZINC Plated					
ZPCS-1-P-15*	1" BSPP	15mm	Zinc Plated	£6.00	€7.80
ZPCS-1-P-22 *	1" BSPP	22mm	Zinc Plated	£6.00	€7.80
ZPC-12-P-6	1/2" BSPP	6mm	Zinc Plated	£3.25	€4.23
Nickel Plated					
NPCS-34-P-34	3/4" BSPP	3/4"	Nickel Plated	£4.50	€5.85
NPCS-34-P-58	3/4" BSPP	5/8"	Nickel Plated	£4.50	€5.85

*Includes special coated Teflon ferrule (see image)