

TERMINAL HEAD SECTION USER GUIDE

Example:

| Part No. | Process Entry | Conduit Entry |
|----------|---------------|---------------|
| KNC | 3/4" | M20 x 1.5 |

● 33mm ● 40mm **IP68** **200°C**

To suit Terminal Blocks with this key code (**see pages 15 to 25 for reference**).

Temperature rating
 Ingress Protection (IP) rating

Terminal Head component breakdown:

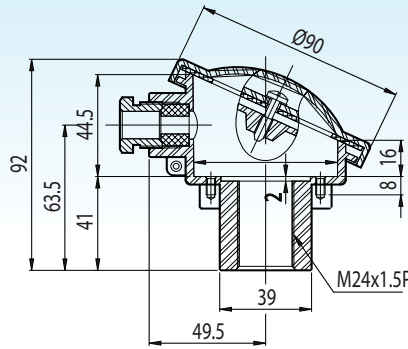
***O-Ring**
 (for tight sealing)

Material Temp Rating
 EPDM 140°C (supplied)
 SILICON 160°C
 VITON 210°C

***Please note - the temperature rating of the seal and bush is often lower than that of the head material. Higher temperature materials on request.**

ALUMINIUM HEADS

DINA Equivalent to AA

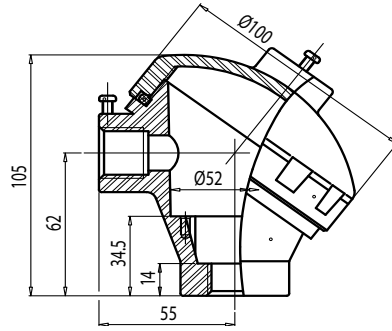


| Part No. | PE | CE |
|-----------------|-----------|-----------|
| H-DINA | 1/2" BSP | M20 x 1.5 |
| H-DINA-15.3 | 15.3mm | M20 x 1.5 |
| H-DINA-21.3 | 21.3mm | M20 x 1.5 |
| H-DINA-22.5 | 22.5mm | M20 x 1.5 |
| H-DINA22.5-PG16 | 22.5mm | PG16 |
| H-DINA-32.5 | 32.5mm | M20 x 1.5 |
| H-DINA-M24 | M24 x 1.5 | M20 x 1.5 |
| H-DINA-INT* | 9mm | M20 x 1.5 |

46mm IP68 480°C

* Black painting

YCE (Double cable entry head)

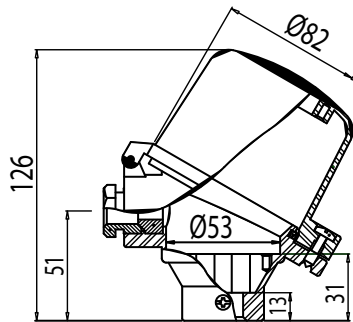


| Part No. | PE | CE |
|-----------|-----------|-----------|
| H-YCE | 1/2" BSP | M20 x 1.5 |
| H-YCE-M24 | M24 x 1.5 | M20 x 1.5 |
| H-YCE-NPT | 1/2" NPT | M20 x 1.5 |

33mm 40mm 480°C

• Supplied without cable gland and bush.

KNH(S)



| Part No. | PE | CE |
|-------------|-----------|-----------|
| H-KNH-S | 1/2" BSP | M20 x 1.5 |
| H-KNH-M24-S | M24 x 1.5 | M20 x 1.5 |
| H-KNH-NPT | 1/2" NPT | M20 x 1.5 |

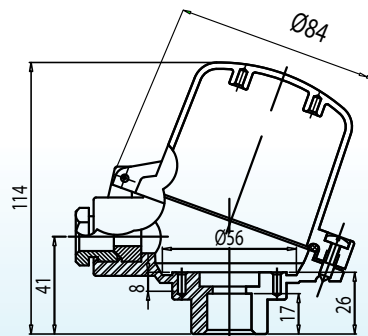
33mm 40mm IP68 480°C

• Supplied with screw fastening as standard
• Can house two transmitters/terminal blocks.

Lever kit available. Part No. H-LK



BUZ-H Equivalent to DANAW



| Part No. | PE | CE |
|------------------|-----------|-----------|
| H-BUZH-S | 1/2" BSP | M20 x 1.5 |
| H-BUZH-S-M24 | M24 x 1.5 | M20 x 1.5 |
| H-BUZH-S-NPT | 1/2" NPT | M20 x 1.5 |
| BUZH-S-22.5 | 22.5mm | M20 x 1.5 |
| BUZH-S-M24-12NPT | M24x1.5 | 1/2" NPT |

33mm 40mm IP68 480°C

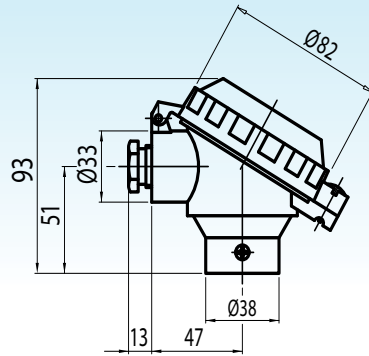
• Supplied with screw fastening as standard
• Can house two transmitters/terminal blocks.

Lever kit available. Part No. H-LK



ALUMINIUM HEADS

KNP(S)



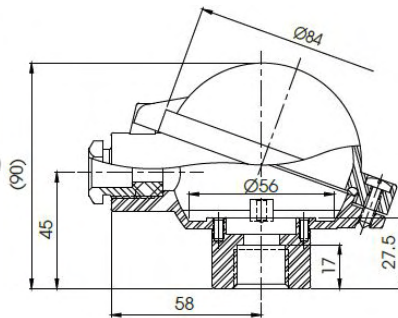
| Part No. | PE | CE |
|------------|----------|-----------|
| H-KNP-S | 1/2" BSP | M20 x 1.5 |
| H-KNP-S-34 | 3/4" BSP | M20 x 1.5 |

33mm 40mm **IP68 480°C**

Lever kit available. Part No. H-LK



YUZ



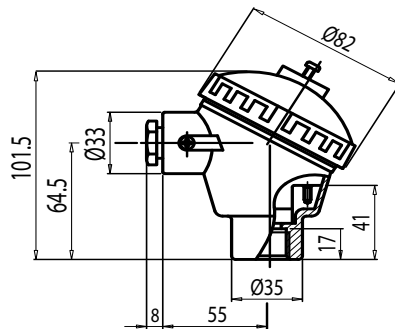
| Part No. | PE | CE |
|-------------|-----------|-----------|
| H-YUZ-S | 1/2" BSP | M20 x 1.5 |
| H-YUZ-S-M24 | M24 x 1.5 | M20 x 1.5 |

33mm 40mm **IP68 480°C**

• High Lid version also available.



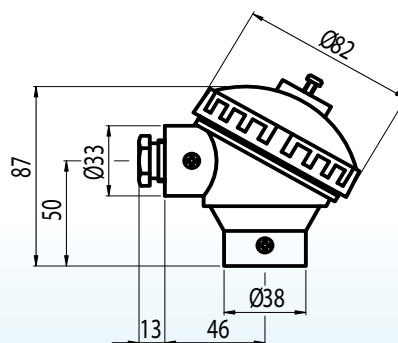
KNL-E



| Part No. | PE | CE |
|----------|----------|-----------|
| H-KNL-E | 1/2" BSP | M20 x 1.5 |

33mm 40mm **IP68 480°C**

KNE



| Part No. | PE | CE |
|-------------------|-----------|-----------|
| H-KNE | 1/2" BSP | M20 x 1.5 |
| H-KNE-LC | 1/2" BSP | 1/2" BSP |
| H-KNE-34 | 3/4" BSP | M20 x 1.5 |
| H-KNE-58 | 5/8" bore | M20 x 1.5 |
| H-KNE-78 | 7/8" bore | M20 x 1.5 |
| H-KNE-M20 | M20 x 1.5 | M20 x 1.5 |
| H-KNE-NPT | 1/2" NPT | 1/2" NPT |
| H-KNE-M24 | M24 x 1.5 | M20 x 1.5 |
| H-KNE-1 | 1" bore | M20 x 1.5 |
| H-KNE-NPTM20 | 1/2" NPT | M20 x 1.5 |
| H-KNE-12NPT-34NPT | 1/2" NPT | 3/4" NPT |
| H-KNE-12-M25 | 1/2" BSP | M25 x 1.5 |
| H-KNE-BLUE** | 1/2" BSP | M20 x 1.5 |

33mm 40mm **IP68 480°C**

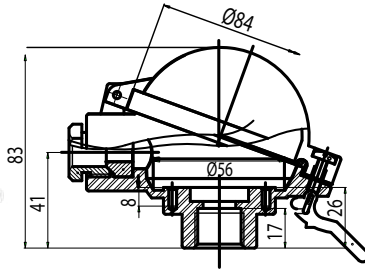
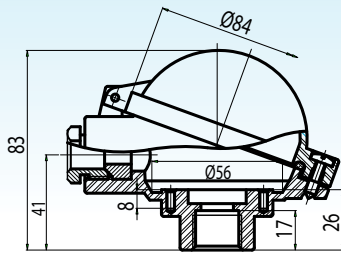
*Epoxy painted
**RAL 5005



Terminal Heads

ALUMINIUM HEADS

BUZ Equivalent to DANA



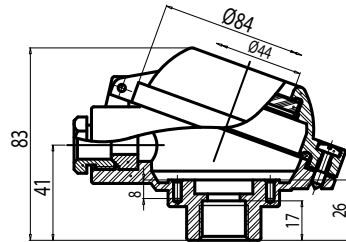
| Part No. | PE | CE |
|------------------|-------------|-----------|
| H-BUZ-S | 1/2" BSP | M20 x 1.5 |
| H-BUZ-S-22.5 | 22.5mm bore | M20 x 1.5 |
| H-BUZ-S-NPT | 1/2" NPT | M20 x 1.5 |
| H-BUZ-S-M24 | M24 x 1.5 | M20 x 1.5 |
| H-BUZ-S-M24-PG16 | M24 x 1.5 | PG16 |
| H-BUZ-S-15.3 | 15.3mm bore | M20 x 1.5 |

33mm 40mm **IP68 480°C**

• Supplied with screw fastening as standard.
Lever kit available. Part No. H-LK



BUZ-W Equivalent to DANAwIn



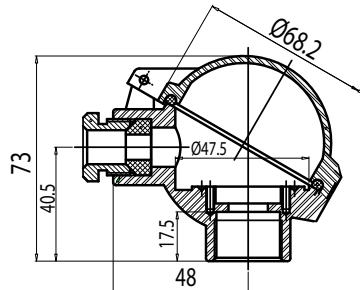
| Part No. | PE | CE |
|-----------|----------|-----------|
| H-BUZ-W-S | 1/2" BSP | M20 x 1.5 |

33mm 40mm **IP68 480°C**

• Window version for viewing transmitter.
Lever kit available. Part No. H-LK



SUZ Equivalent to NAA



| Part No. | PE | CE |
|-------------|-------------|-----------|
| H-SUZ-S | 1/2" BSP | M20 x 1.5 |
| H-SUZ-S-M24 | M24 x 1.5 | M20 x 1.5 |
| H-SUZ-M20 | M20 x 1.5 | M20 x 1.5 |
| H-SUZ-15.3 | 15.3mm bore | M20 x 1.5 |

33mm 27mm **480°C**

• Supplied with screw fastening as standard.
Lever kit available. Part No. H-LK-SUZ



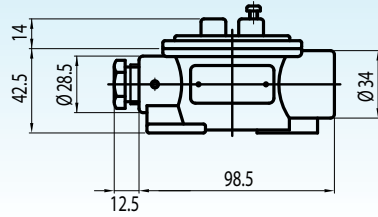
Contact our Sales Team for assistance.

Tel: +44(0)118 9730739 Fax: +44(0)118 9737222

We welcome your enquiries for any Head not listed.

ALUMINIUM HEADS

KF Wall Mounted



Please Note

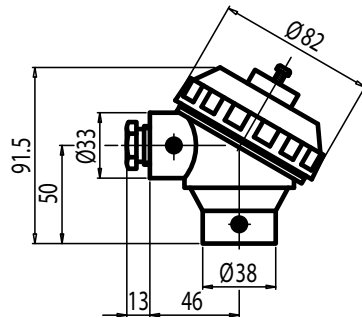
Discounts can be given off all list prices dependent upon quantity.

| Part No. | PE | CE |
|--------------|----------|----------|
| H-KF | 1/2" BSP | M20x1.5 |
| H-KF-34-M20 | 3/4" BSP | M20x1.5 |
| H-KF-34-12 | 3/4" BSP | 1/2" BSP |
| H-KF-M20-M20 | M20x1.5 | M20x1.5 |

33mm 40mm **IP68 480°C**

| Part No. | Description |
|-----------|-----------------------------------|
| H-RTUBE | Radiation Tube - 115 x 22mm (NPB) |
| H-M20PLUG | Plug - M20 Thread (6mm bore) |
| H-12PLUG | Plug - 1/2" BSP Thread (6mm bore) |
| H-34PLUG | Plug - 3/4" BSP Thread (6mm bore) |

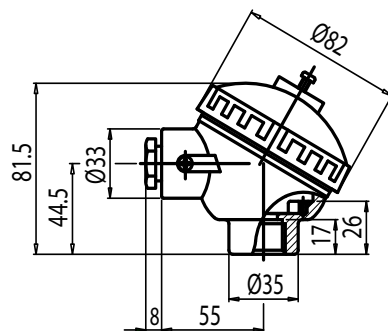
KNC



| Part No. | PE | CE |
|----------|----------|-----------|
| H-KNC-34 | 3/4" BSP | M20 x 1.5 |

33mm 40mm **IP68 480°C**

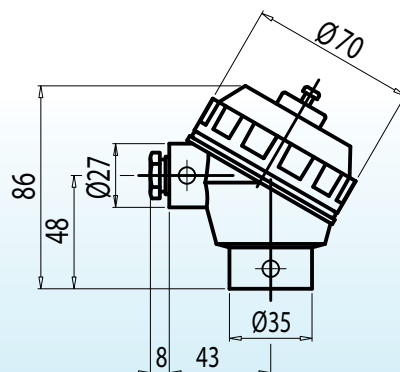
KNA-E



| Part No. | PE | CE |
|----------|----------|-----------|
| H-KNA-E | 1/2" BSP | M20 x 1.5 |

33mm 40mm **IP67 480°C**

KMC

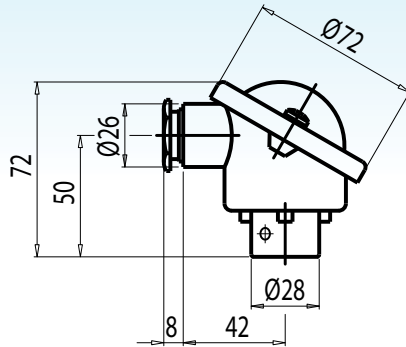


| Part No. | PE | CE |
|-----------|-----------|-----------|
| H-KMC | 1/2" BSP | M20 x 1.5 |
| H-KMC-14 | 1/4" BSP | M20 x 1.5 |
| H-KMC-M16 | M16 x 1.5 | M16 x 1.5 |

33mm **IP68 480°C**

ALUMINIUM HEADS

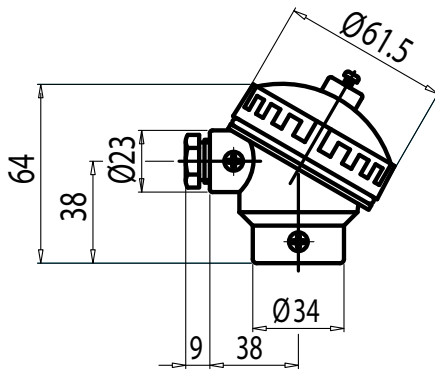
KD (Din Form B) Equivalent to BA



| Part No. | PE | CE |
|------------------------|-------------|-----------|
| H-KD | 1/2" BSP | M20 x 1.5 |
| H-KD-M8 | M8 x 1.25 | M20 x 1.5 |
| H-KD-M20 | M20 x 1.5 | M20 x 1.5 |
| H-KD-M22 | 1/2" BSP | M22 x 1.5 |
| H-KD-M24 | M24 x 1.5 | M20 x 1.5 |
| H-KD-PG16 | 1/2" BSP | PG16 |
| H-KD-NPT-PG16 | 1/2" NPT | PG16 |
| H-KD-M10-PG16 | M10 x 1.0 | PG16 |
| H-KD-M12-PG16 | M12 x 1.0 | PG16 |
| H-KD-6 | 6mm bore | M20 x 1.5 |
| H-KD-10.5 | 10.5mm bore | M20 x 1.5 |
| H-KD-15.3 | 15.3mm bore | M20 x 1.5 |
| H-KD-M24-BLUE(RAL5005) | M24 x 1.5 | M20 x 1.5 |

33mm IP68 480°C

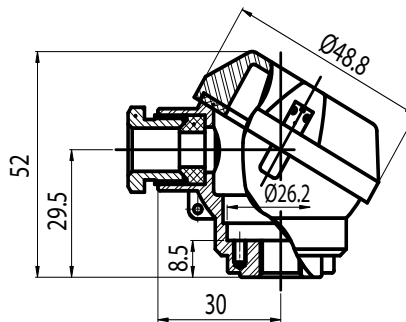
KSE



| Part No. | PE | CE |
|-----------|-----------|-----------|
| H-KSE | 1/8" BSP | M16 x 1.5 |
| H-KSE-14 | 1/4" BSP | M16 x 1.5 |
| H-KSE-12 | 1/2" BSP | M16 x 1.5 |
| H-KSE-M16 | M16 x 1.5 | M16 x 1.5 |

27mm IP68 480°C

MAXT

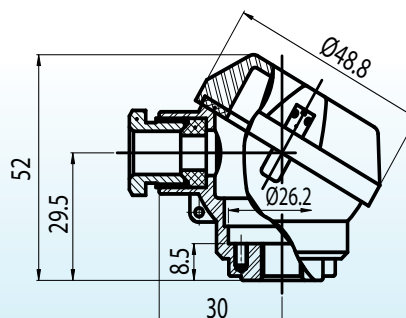


| Part No. | PE | CE |
|----------|------------|-----------|
| H-MA-XT | M20 x 0.75 | M16 x 1.5 |

20mm IP66 480°C

MA Small Aluminium Head, M20 x 0.75 externally threaded process.

MA Equivalent to MAA

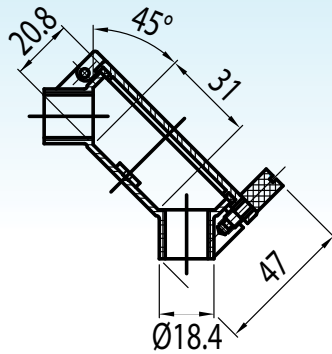


| Part No. | PE | CE |
|----------|-----------|-----------|
| H-MA | M10 x 1.0 | M16 x 1.5 |
| H-MA-18 | 1/8" BSP | M16 x 1.5 |

20mm IP66 480°C

ALUMINIUM HEADS

KAA

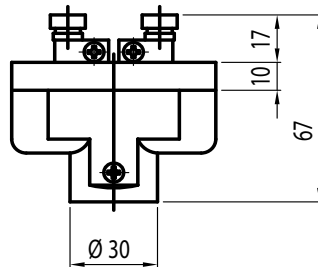


| Part No. | Description |
|----------|---------------------------------------|
| H-KAA | Aluminium Angled Entry Head M16 x M16 |
| H-G-M16 | M16 cable gland with rubber bushing |

19mm **480°C**

• Supplied without cable gland and bush.

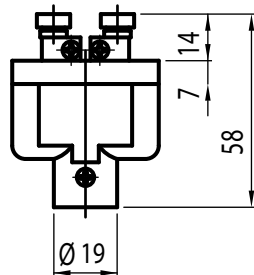
TL Large version (PE - 1/2" BSP)



| Part No. | Description |
|----------|----------------------------------|
| TL-2P-C | TL Head with ceramic 2 way block |

• Also available with Bakelite terminal block.

TS Small version (PE - 1/4" BSP)

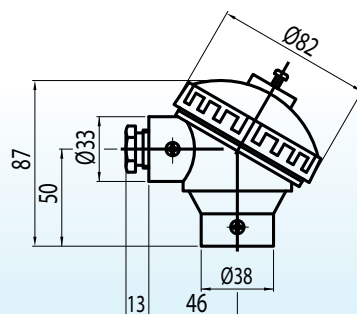


| Part No. | Description |
|----------|----------------------------------|
| TS-2P-C | TL Head with ceramic 2 way block |

• Also available with Bakelite terminal block.

PLASTIC HEADS

KNN



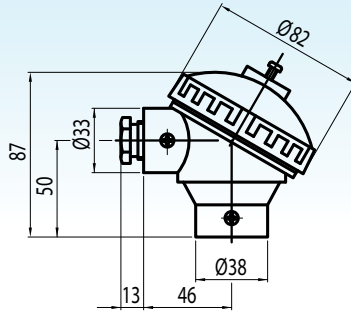
| Part No. | PE | CE |
|-----------|-----------|-----------|
| H-KNN | 1/2" BSP | M20 x 1.5 |
| H-KNN-M24 | M24 x 1.5 | M24 x 1.5 |

33mm 40mm **IP65 200°C**

Glass Filled Nylon.

PLASTIC HEADS

KPP (FDA Approval)

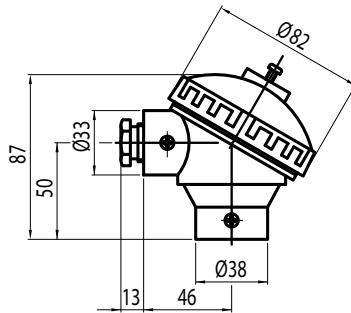


| Part No. | PE | CE |
|-----------|----------|-----------|
| H-KPP | 1/2" BSP | M20 x 1.5 |
| H-KPP-NPT | 1/2" NPT | M20 x 1.5 |

33mm 40mm **IP68 165°C**

White Polypropylene.

KPP-B (FDA Approval)

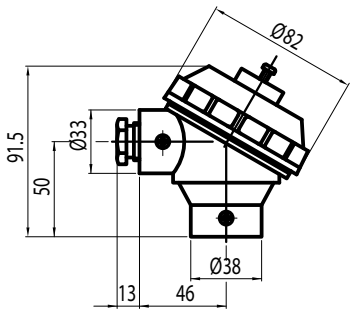


| Part No. | PE | CE |
|----------|----------|-----------|
| H-KPP-B | 1/2" BSP | M20 x 1.5 |

33mm 40mm **IP68 165°C**

Black Polypropylene.

KB

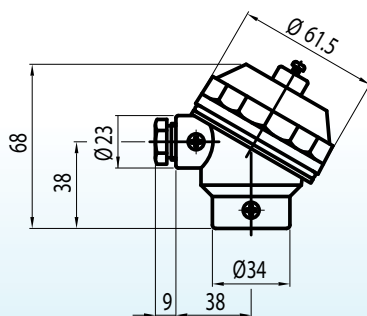


| Part No. | PE | CE |
|----------|----------|-----------|
| H-KB | 1/2" BSP | M20 x 1.5 |

33mm 40mm **IP68 180°C**

Bakelite.

KBS



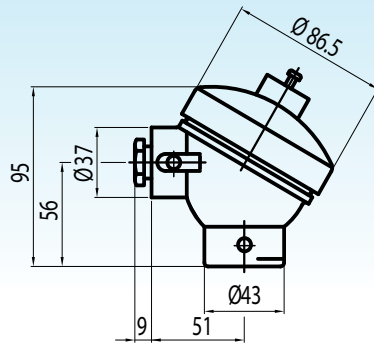
| Part No. | PE | CE |
|----------|----------|----------|
| H-KBS | 1/4" BSP | 3/8" BSP |

27mm **IP68 180°C**

Bakelite.

CAST IRON HEADS

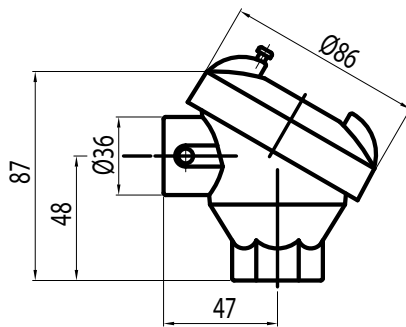
KI



| Part No. | PE | CE |
|----------|-----------|-----------|
| H-KI | 1/2" BSP | M20 x 1.5 |
| H-KI-34 | 3/4" BSP | M20 x 1.5 |
| H-KI-NPT | 1/2" NPT | M20 x 1.5 |
| H-KI-M24 | M24 x 1.5 | M20 x 1.5 |

33mm 40mm **IP67 900-1000°C**

CCI NEMA 4X Approval

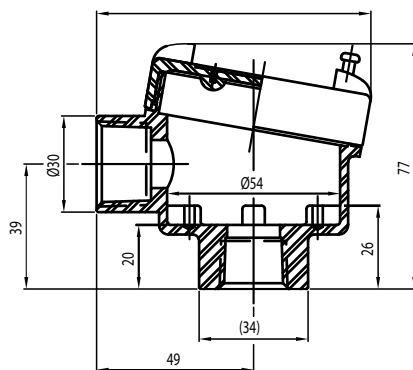


| Part No. | PE | CE |
|----------|----------|-----------|
| H-CCI | 1/2" BSP | M20 x 1.5 |

33mm 40mm 45mm **IP68 900-1000°C**

STAINLESS STEEL 316 HEADS

CLS

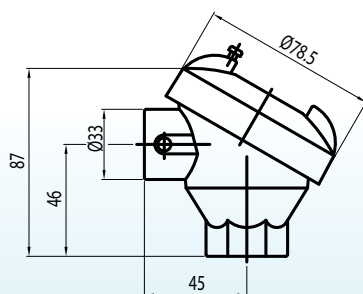


| Part No. | PE | CE |
|----------|----------|-----------|
| H-CLS | 1/2" BSP | M20 x 1.5 |

33mm 40mm 45mm **IP68 1000-1100°C**

• Supplied without cable gland and bush.

CSS NEMA 4X Certified

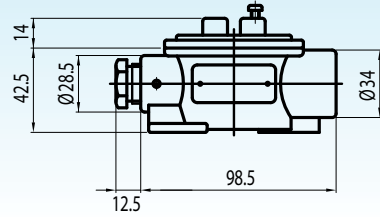


| Part No. | PE | CE |
|----------|----------|-----------|
| H-CSS | 1/2" BSP | M20 x 1.5 |

33mm 40mm 45mm **1000-1100°C**

STAINLESS STEEL 316 HEADS

KFS



| Part No. | PE | CE |
|----------|----|----|
|----------|----|----|

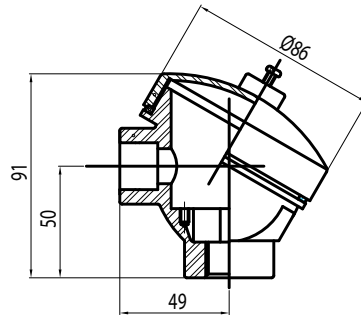
| | | |
|-------|----------|-----------|
| H-KFS | 1/2" BSP | M20 x 1.5 |
|-------|----------|-----------|

33mm

40mm

IP68 1000-1100°C

BLS



| Part No. | PE | CE |
|----------|----|----|
|----------|----|----|

| | | |
|-------|----------|-----------|
| H-BLS | 1/2" BSP | M20 x 1.5 |
|-------|----------|-----------|

| | | |
|-----------|----------|-----------|
| H-BLS-M25 | 1/2" BSP | M25 x 1.5 |
|-----------|----------|-----------|

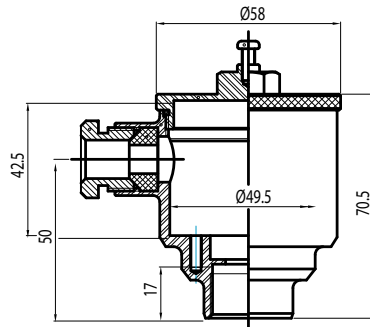
33mm

40mm

IP68 1000-1100°C

• Supplied without cable gland and bush.

SEG Equivalent to BEG



| Part No. | PE | CE |
|----------|----|----|
|----------|----|----|

| | | |
|-------|-----------|-----------|
| H-SEG | M24 x 1.5 | M20 x 1.5 |
|-------|-----------|-----------|

| | | |
|----------|----------|----------|
| H-SEG-12 | 1/2" BSP | 1/2" BSP |
|----------|----------|----------|

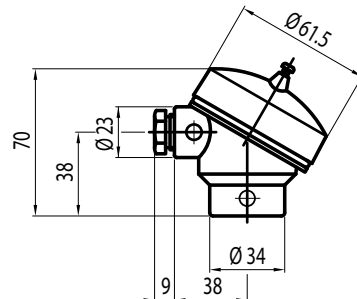
| | | |
|--------------|----------|-----------|
| H-SEG-12-M20 | 1/2" BSP | M20 x 1.5 |
|--------------|----------|-----------|

33mm

1000-1100°C

Highly polished.

SS



| Part No. | PE | CE |
|----------|----|----|
|----------|----|----|

| | | |
|------|----------|-----------|
| H-SS | 1/4" BSP | M16 x 1.5 |
|------|----------|-----------|

| | | |
|---------|----------|-----------|
| H-SS-12 | 1/2" BSP | M16 x 1.5 |
|---------|----------|-----------|

27mm

IP65 1000-1100°C

REMEMBER!

CHECK WHICH TERMINAL BLOCKS SUIT WHICH HEADS BY LOOKING AT THE COLOURED DOTS.

33mm

33mm fixings to accompany Terminal Heads with this keycode.

| Part No. | Poles | Material | Price Sterling | Price Euros |
|----------|-------|----------|----------------|-------------|
| MD-2P-C | 2 | 45% AD03 | £1.55 | €2.02 |
| MD-3P-C | 3 | 45% AD03 | £1.90 | €2.48 |
| MD-4P-C | 4 | 45% AD03 | £2.30 | €2.99 |
| MD-6P-C | 6 | 45% AD03 | £3.00 | €3.90 |

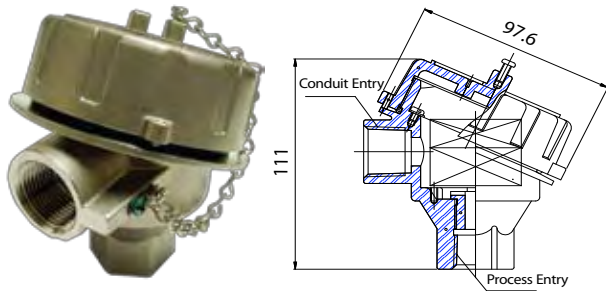
EX D TERMINAL HEADS

COMPONENT CERTIFIED, FLAMEPROOF EX D TERMINAL HEADS.
AVAILABLE WITH ATEX AND FM CERTIFICATION.

Standards: ATEX 94/9/EC, EN 50018, EN60079-1

US (NEC®500) FM3600, CSA C22.2 No. 0, FM3615, C22.2 No.30

XDS Stainless Steel.



| Part No. | ATEX/FM approval | PE | CE |
|-------------------|------------------|--------|---------|
| XDS-A-12BSP-M20 | ATEX | ½" BSP | M20x1.5 |
| XDS-A-12NPT-12NPT | ATEX | ½" NPT | ½" NPT |
| XDS-F-12NPT-12NPT | FM | ½" NPT | ½" NPT |

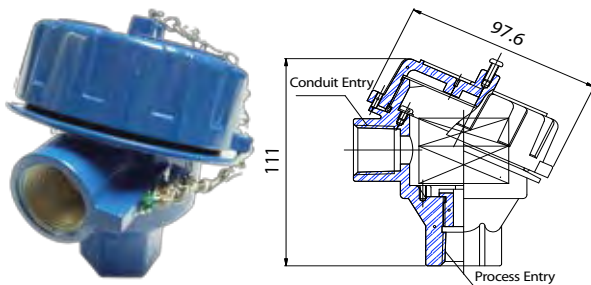
33mm 40mm **IP68 1000-1100°C**

Bush and flame path collar available upon request (see below).

EC Certificate No. Rating: BSI 07 ATEX 1532458U
EEx d IIC T6 IP68
Ex tD A21 T100°C IP68

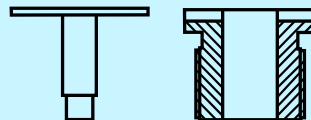
FM Certificate: Rating: NEC 500 EXPLOSIONPROOF
Class I, Division 1, Groups A, B, C, D, T6
Class I, Division 1, Groups E, F, G, T6
Class III, Type 4X

XDA Aluminium, Epoxy paint RAL5005.



| Part No. | ATEX/FM approval | PE | CE |
|-------------------|------------------|---------|---------|
| XDA-A-12BSP-M20 | ATEX | ½" BSP | M20x1.5 |
| XDA-A-12NPT-12NPT | ATEX | ½" NPT | ½" NPT |
| XDA-A-34BSP-M20 | ATEX | ¾" BSP | M20x1.5 |
| XDA-A-M24-M20 | ATEX | M24x1.5 | M20x1.5 |
| XDA-F-12NPT-12NPT | FM | ½" NPT | ½" NPT |
| XDA-F-12NPT-34NPT | FM | ½" NPT | ¾" NPT |

33mm 40mm **IP68 480°C**



Flamepath collar,
£5.00/pc €6.50/pc,
and **Bush**, £5.00/pc €6.50/pc.

EC Certificate No. Rating: BSI 07 ATEX 1532458U
EEx d IIC T6 IP68
Ex tD A21 T100°C IP68

FM Certificate: Rating: NEC 500 EXPLOSIONPROOF
Class I, Division 1, Groups A, B, C, D, T6
Class I, Division 1, Groups E, F, G, T6
Class III, Type 4

CUSTOM HEADS

Tailor made to suit specific requirements



SS, Aluminium, CI, Plastics Heads



Various process and conduit entries available

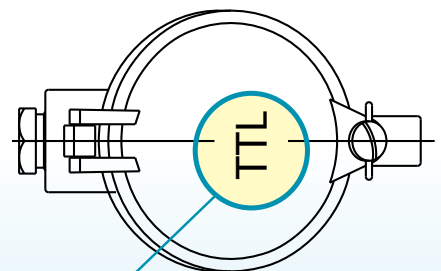
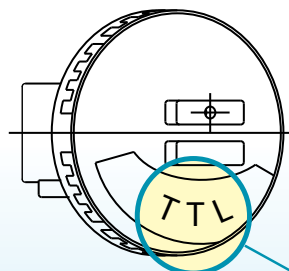


Colour painting to RAL no's



Epoxy Coating Available

New designs can be tooled from sample or drawing (subject to MOQ).



CERTIFICATION ON ALL HEADS AVAILABLE UPON REQUEST

Company name molding available